



Part number

MGO 24.40 B



Brief description:

hoods, bayonet locking, size "104.27", side entry, M40, high protection IP68 version, IP68

Product description		Approvals / Standards	
Version	high protection IP68 version	Quality mark	 (type:4/4X/12),  , EAC
Series	hoods, bayonet locking	Conformity	CQC, CE
Product type	with two bayonets	General ordering information	
Variant	side entry	EAN13 code	8015747124294
Family	IP68 enclosures	Tariff number	85369095
Size	size "104.27"	Packaging Information	
Technical data		Packaging length	205,00 mm
Material	metal	Packaging height	135,00 mm
IP degree of protection	IP68 (and IP69K DIN 40050 - 9)	Packaging width	135,00 mm
Cable entry	M40	Packaging weight	1,14 kg
Further technical details		Packaging volume	3,74 dm ³
Weight	571,00 g	Packaging description	Carton box
		Packaging quantity	2 Pcs
		Packaging EAN code	8015747124775
		Sub-packaging weight	0,57 kg
		Sub-packaging description	Plastic packaging
		Sub-packaging quantity	1 Pcs
		Sub-packaging EAN barcode	8015747124782

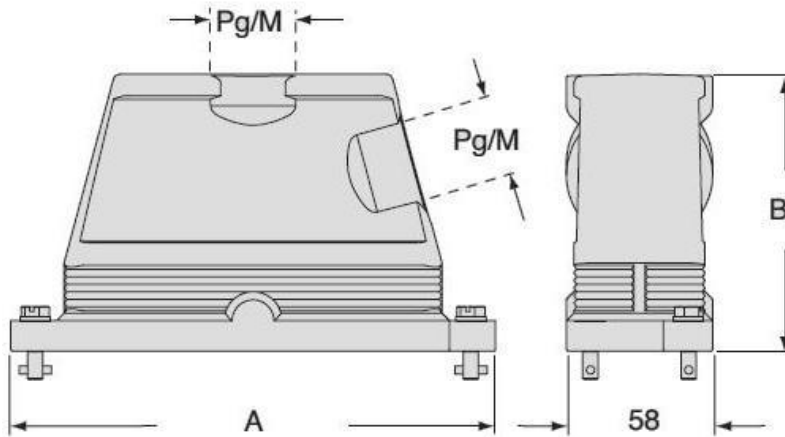
Part number

MGO 24.40 B



Catalogue drawings

CGO/MGO..B CGV/MGV..B



		A	B
CGO/MGO	CGV/MGV 06 B	133	101
CGO/MGO	CGV/MGV 10 B	146	101
CGO/MGO	CGV/MGV 16 B	166	111
CGO/MGO	CGV/MGV 24 B	193	111